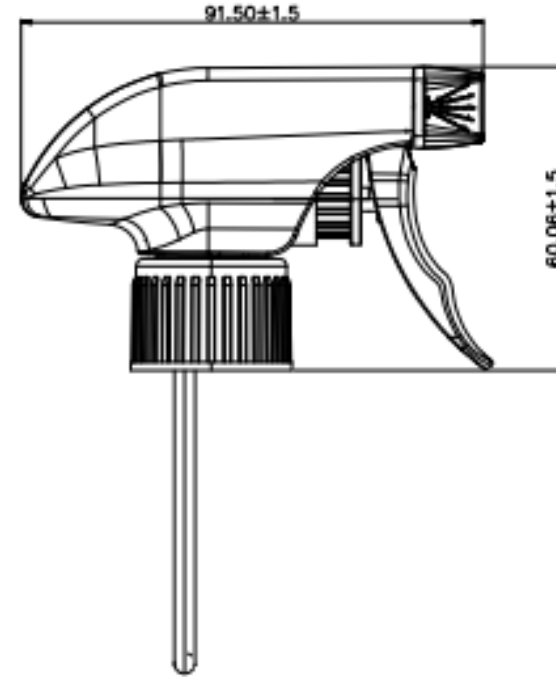
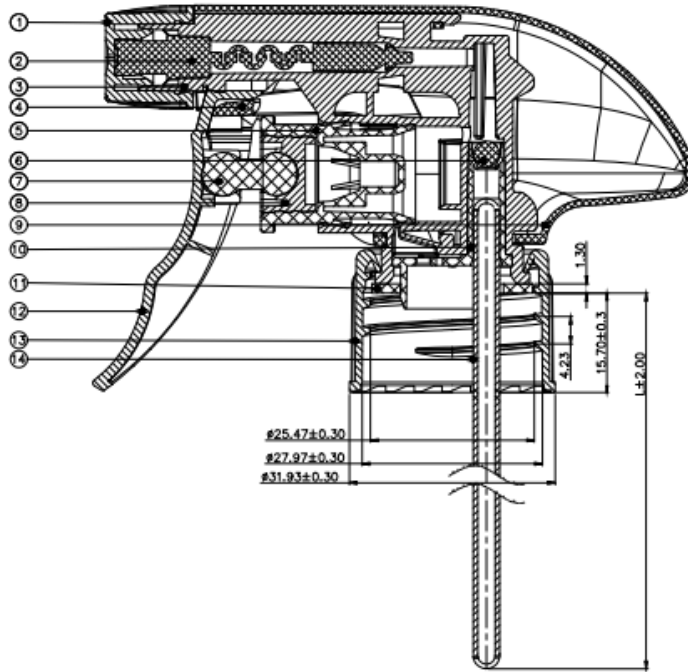


14	Dip tube
13	Closure
12	Trigger
11	Gasket
10	Housing
9	Cover
8	Stem
7	Connecting buckle
6	Ball
5	Piston
4	Plastic spring
3	Connect
2	Spray Valve
1	Actuator
Part	Parts Name



SCALE 1:1

Note: FBOG measurement may change subject to review on actual product.

Height/Length	Tolerance
<1	±0.2
>1	±0.4
>5	±0.8
>50	±1.0
>100	±1.6
>200	±2.0
Diameter	Tolerance
<25	±0.4
>25	±0.8
>50	±1.2

Controlled Document

Dosage	1.25±0.25ml	Drawing no.	TS28410-B-A028-19-00
Weight	21.2±1.0g	Description	Trigger Spray Ribbed Wall Suit to 28mm Neck TS28410-B
Scale	1:1		
Unit	mm		
Drawn by	Rahul	Approved by	

**Synergy Packaging**

\* Customer Copy \*

0	05/07/24	
Revision	Date	Modifications